



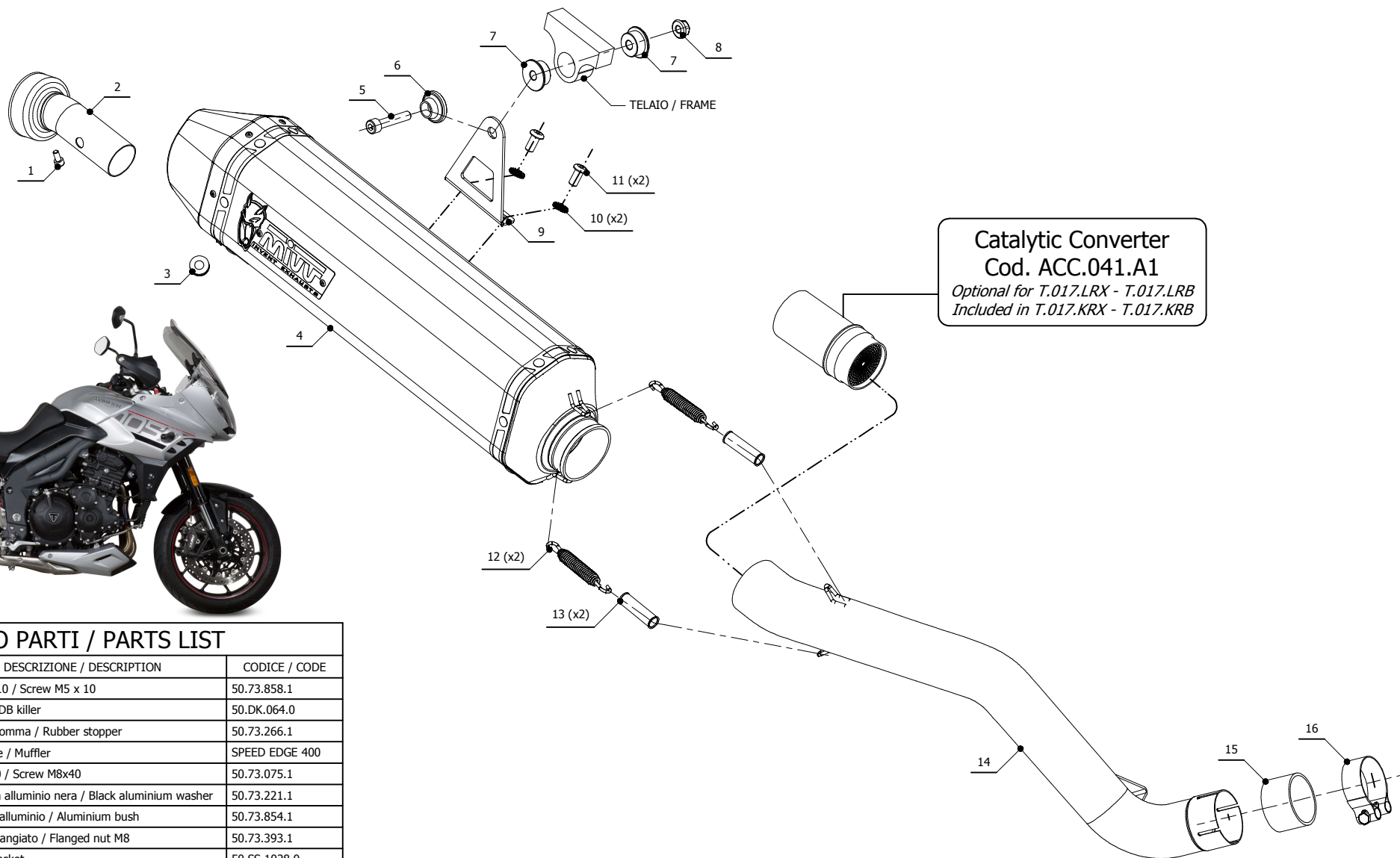
MODEL TRIUMPH TIGER 1050 SPORT

YEAR 2017 -->

LINE SLIP ON

MUFFLER SPEED EDGE

SCHEMATIC



ELENCO PARTI / PARTS LIST

#	QTÀ / QTY	DESCRIZIONE / DESCRIPTION	CODICE / CODE
1	1	Vite M5 x 10 / Screw M5 x 10	50.73.858.1
2	1	DB killer / DB killer	50.DK.064.0
3	1	Tappo in gomma / Rubber stopper	50.73.266.1
4	1	Silenziatore / Muffler	SPEED EDGE 400
5	1	Vite M8x40 / Screw M8x40	50.73.075.1
6	1	Rondella in alluminio nera / Black aluminium washer	50.73.221.1
7	2	Bussola in alluminio / Aluminium bush	50.73.854.1
8	1	Dado M8 flangiato / Flanged nut M8	50.73.393.1
9	1	Staffa / Bracket	50.SS.1028.0
10	2	Vite M8 x 16 / Screw M8 x 16	50.73.098.1
11	2	Rondella di sicurezza / Safety washer	50.73.604.1
12	2	Molla media / Middle spring	50.73.359.1
13	2	Tube in gomma per molla / Rubber pipe for spring	50.73.210.1
14	1	Tube di raccordo / Link Pipe	9773T014SRX
15	1	Guarnizione in grafite / Graphite bush	50.72.45.50.30
16	1	Fascetta Ø 48/51 mm / Pipe clamp Ø 48/51 mm	50.FA.007.1

APPLICAZIONI / APPLICATIONS

CODICE / CODE	SILENZIATORE / MUFFLER	TUBO / PIPE	FASCETTA / CLAMP	NOTE
T.017.LRX T.017.LRB	INOX (COPPE CARBONIO) / ST. STEEL (CARBON CAPS) STEEL BLACK	INOX / ST. STEEL	CARBONIO / CARBON FIBER	CATALYTIC CONVERTER NOT INCLUDED
T.017.KRX T.017.KRB	INOX (COPPE CARBONIO) / ST. STEEL (CARBON CAPS) STEEL BLACK	INOX / ST. STEEL	CARBONIO / CARBON FIBER	CATALYTIC CONVERTER INCLUDED